

AQUON™

THE ULTIMATE COOLING CHAIR PRODUCT MANUAL



Contents

Safety messages	3
Specifications and contents	4
Assembly instructions	5
Operation instructions	9
Warranty statement	11
Troubleshooting	12
Frequently Asked Questions	12

IMPORTANT

Please save this product manual for future reference. Additional copies are available at www.aquonchair.com



Warning

Thoroughly read and understand the information in this product manual before attempting assembly and before using this product.

Assemble only according to instructions.

Keep assembly area clean and well lit.

Keep bystanders out of area during assembly.

Do not use this product outside the weight requirements specified in this product manual.

Inspect the product regularly for loose or missing screws, cracks, general instability or excessive wear.

Do not use **AQUON** components for any purpose other than their intended use.

Congratulations on your purchase of the AQUON The Ultimate Cooling Chair!

The **AQUON** Ultimate Cooling Chair is an office chair that actively cools the occupant. It is intended to provide comfortable cooled seating with adjustable support for people who do a combination of physical labor and desk work, in an office environment or at home.

For optimal effectiveness the **AQUON** should be used with lightweight clothing.

Specifications

Dimensions 43 ½" H x 25" W x 28" D

Adjustable height range 43 ½" – 48"

Seat size 20" W x 20 ½" D

Color Black seat with a blue back rest

Weight capacity 250 pounds

Arm height with seat down 24 ½" - 27 ½"

Arm height with seat up 28" - 31"

Power input 100-240 VAC

Maximum power consumption 65 watts

Box Contents

The box contents are as follows -

Quantity	Description
1	Seat
1	Seat post
1	Back rest
1	Base
5	Castors
1	Left Armrest
1	Right Armrest
1	Bag of hardware with 5mm hex tool
1	Box with Power supply
1	Water Bottle

Assembly Instructions

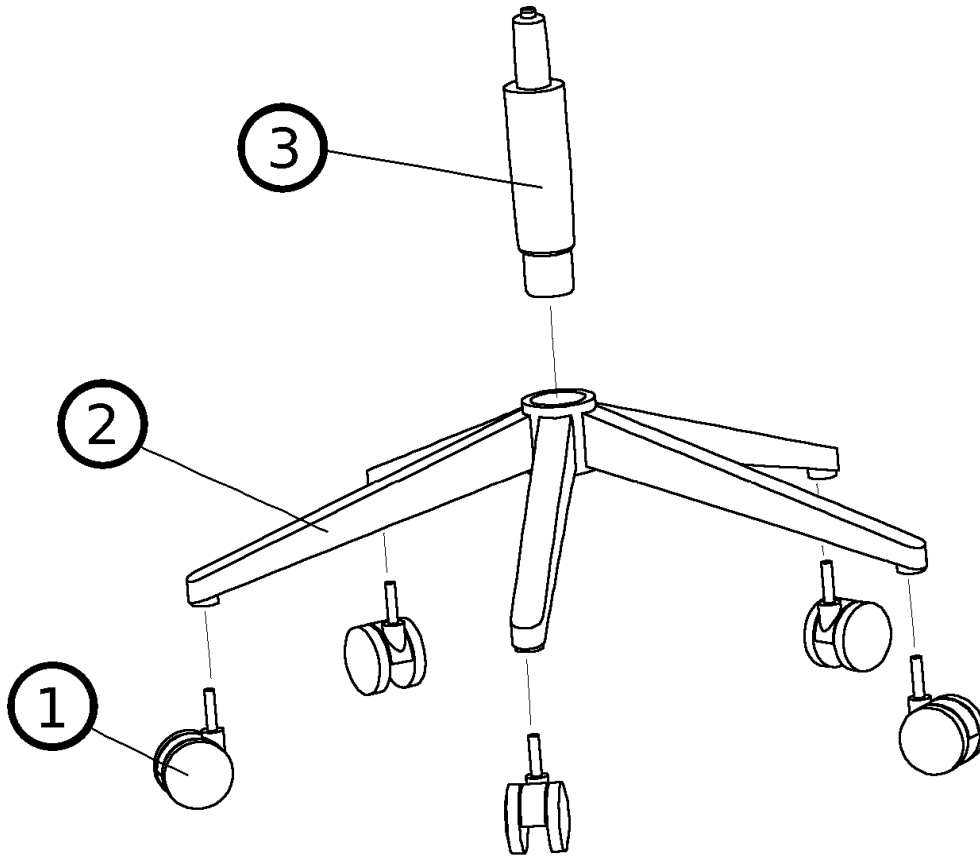
Read the entire section before beginning assembly. Neither the manufacturer nor distributor makes any representation or warranty of any kind to the buyer that he or she is qualified to make any repairs to the product, or that he or she is qualified to replace any part of the product.

Reference	Quantity	Description
1	5	Castor
2	1	Base
3	1	Seat Post
4	1	Seat
5	1	Back Rest
6	1	Left Arm Rest
7	1	Right Arm Rest
8	6	30mm Screw
9	6	16mm Washer
10	3	20mm Screw
11	3	20mm Washer
12	2	18mm Spacer (pre-glued in place)

Step 1

Press the five castors(1) in to the base(2). Place the base(2) on the floor with the castors(1) down.

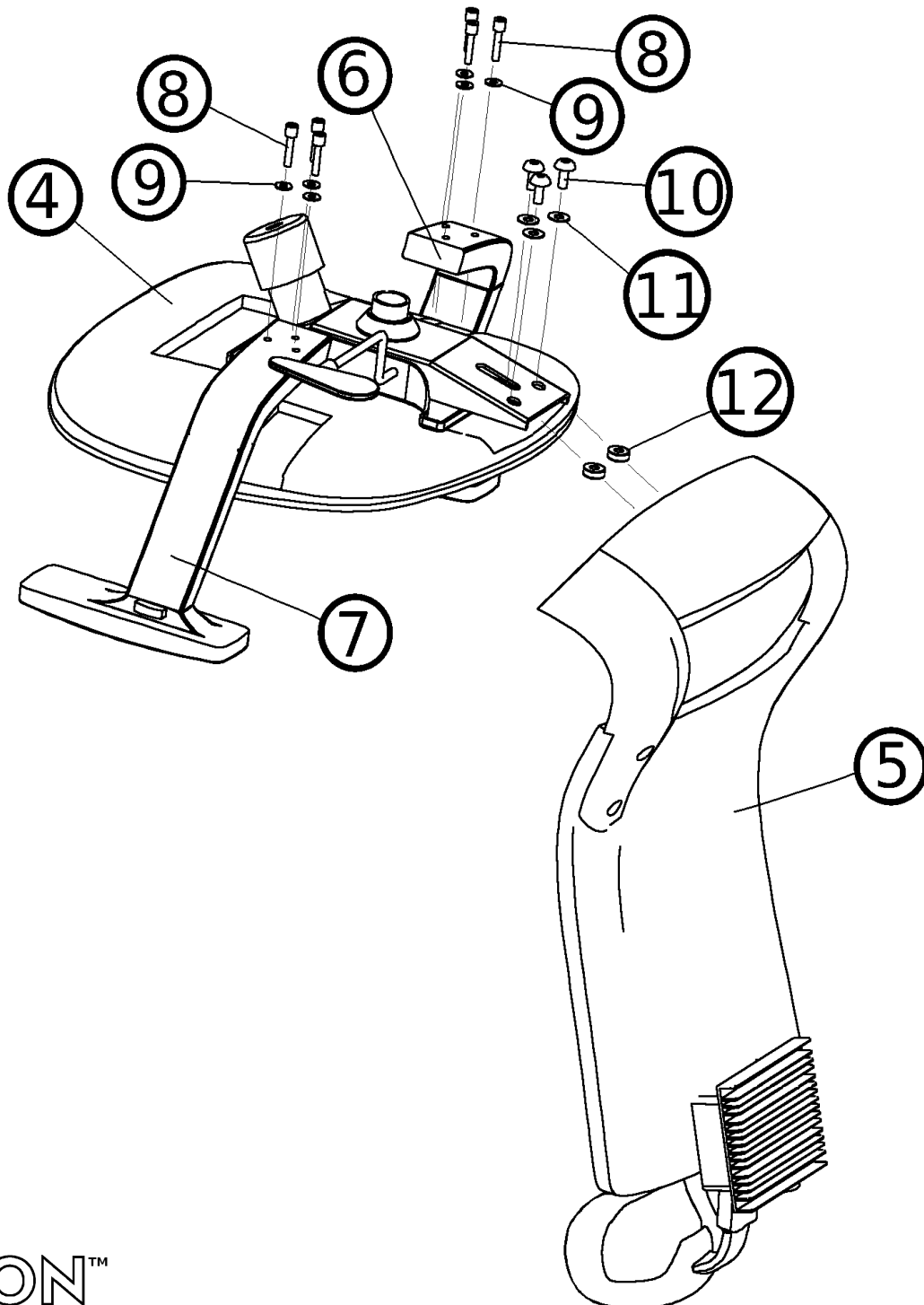
Insert the seat post(3) in to the base(2) with the wide end down.



Step 2

Place the seat(4) mesh down on a stool or short ladder. Attach the left and right arm rests(6) (7) with the six 30mm screws(8) and 16mm washers(9) using the hex tool.

The two 18mm spacers(12) are pre-glued in place on the back rest. These spacers can be removed to increase the rake angle of the back rest. Slide the back rest(5) in to the metal bracket on the seat(4) until all three holes line up. Install the three 20mm screws(10) and washers(11) through the metal bracket in to the back rest(5) with half a turn. Tighten the center screw all the way then tighten the back two screws.



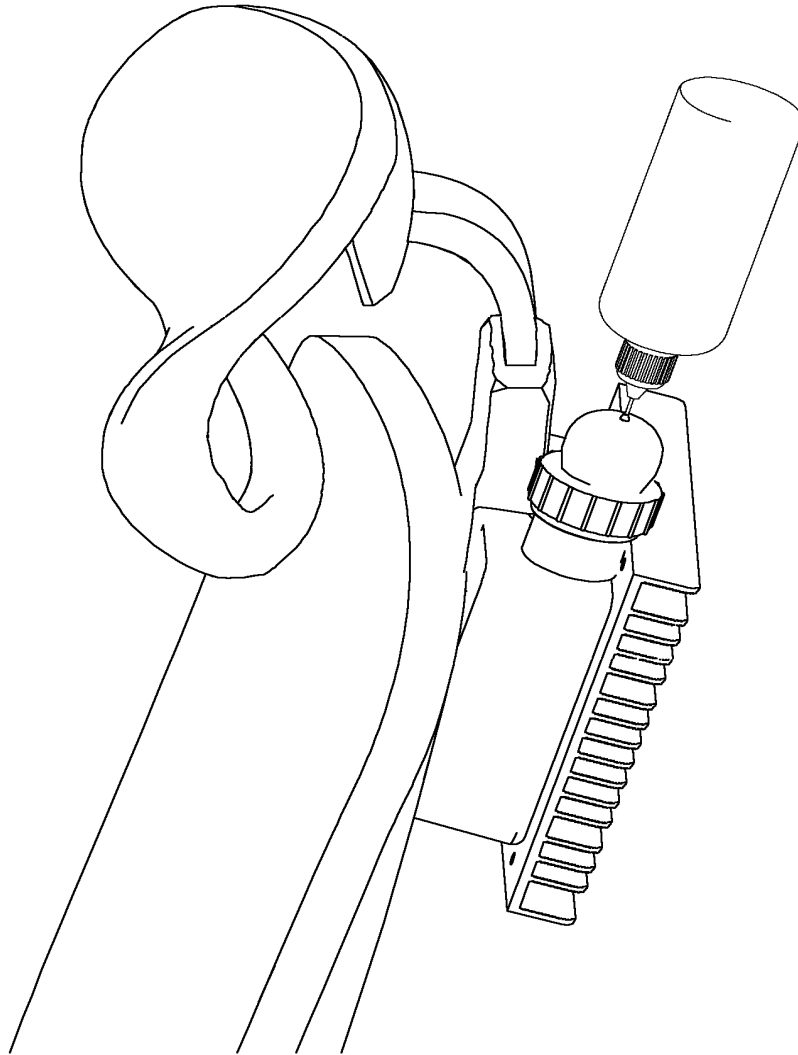
Step 3

Join the bottom half from step 1 to the top half from step 2 by sliding the top of the seat post in the seat.

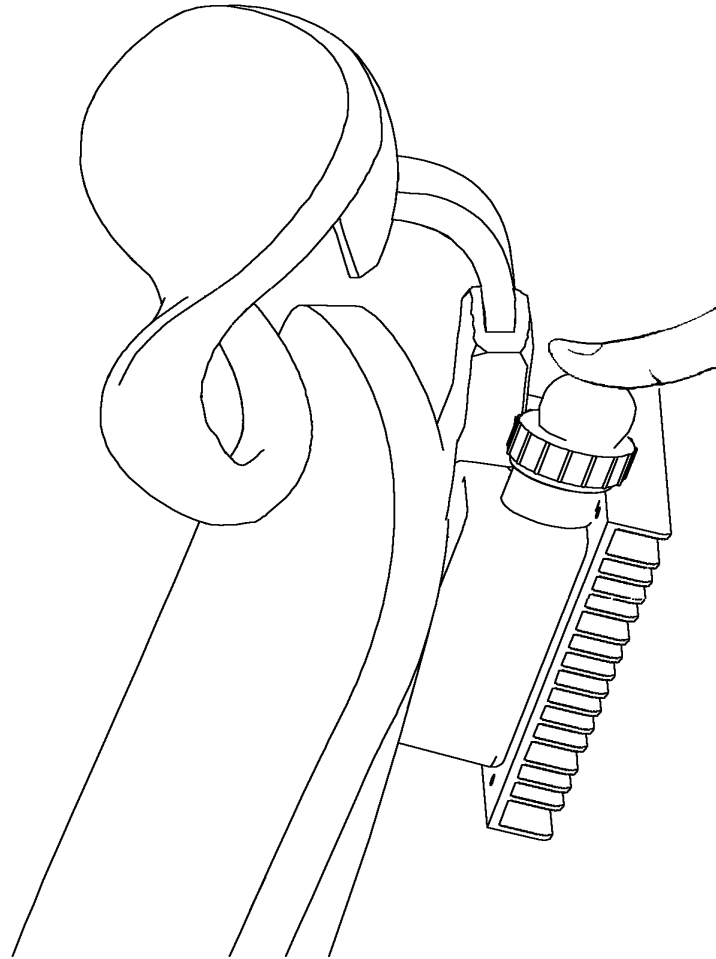


Operation Instructions

After assembly, fill the water bottle with distilled water. Use the water bottle to fill the chairs water reservoir by injecting water in to the hole on the top of the rubber bulb.



After the reservoir is full, use your thumb to cover the hole on the top of the rubber bulb. With a downward motion pump the water down in to the sealed chamber in the chair back. Do not pump air in to the sealed chamber. The chair typically needs one pump every couple of days to keep the sealed chamber full. When the chair arrives the sealed chamber may be very low and require two or more reservoirs of water to be added. Try to pump two reservoirs of water in to the sealed chamber. If water begins to leak out of the top hole in the reservoir do not be alarmed. This means the sealed chamber is completely full. One short quick push on the rubber bulb will stop the water from leaking out but do not pump any more water in to the sealed chamber. Do not over fill the sealed chamber. Over filling the sealed chamber could cause the sealed chamber to rupture.



Place the power supply on a desk or table. Plug the power supply 5.5mm plug in to the pigtail connector on the back of the chair. Plug the other end in to a wall outlet.

Turn the chair on by pressing down on the line side of the power switch. The fan will begin spinning which will indicate that the chair is on. The **AQUON** normally takes around 5 minutes to reach full coolness. Press on the circle to turn off the **AQUON**.

Warranty Statement

The limited warranty for the **AQUON** chair remains in force for two (2) years and is valid from the date of purchase. The original purchase receipt is required as proof of purchase. The limited warranty applies to professional office use and covers defects in material and workmanship on the following parts of the **AQUON** chair:

- The structural frame
- Gas lift post
- Casters
- Pump Bulb
- Power Supply

At its sole discretion, the manufacturer will examine the product and decide if it is covered under the limited warranty. If considered covered, the manufacturer through its own service operations, will either repair the defective product or replace it with the same or a comparable product. If considered covered by this limited warranty, the manufacturer will pay the costs of repairs, spare parts, that the manufacturer incur, provided that the product is accessible for repair without special expenditure. This does not apply to any repair work not authorized by the manufacturer. Replaced parts become the property of the manufacturer.

This limited warranty does not cover normal wear and tear, cuts or scratches, damage caused by impacts, accidents, incidental or consequential damage.

This limited warranty does not apply if the **AQUON** chair has been placed outdoors or in a humid environment e.g. the bathroom.

For customers in the US only: Some states do not allow the limitation or exclusion of incidental or consequential damage, so this limitation or exclusion may not apply to you. The **AQUON** chair is sold with casters designed for use on office flooring.

SAVE THE SALES RECEIPT!

It is your proof of purchase and is required for the limited warranty to apply.

If anything happens, or if you're not satisfied, just contact support@aquonchair.com

Trouble Shooting

Fan does not spin – Check the light on the power supply. If the light is off, check the power cord to the wall outlet. If the light is on, check the 5.5mm plug in to the pigtail connector on the back of the chair.

The back rest is not getting cold – If the fan is spinning then the problem is the sealed chamber does not have enough water. Pump two full reservoirs of water and let the chair run for 5 minutes. If the back rest is still not cool, repeat until cool.

Water is leaking from the bottom of the back rest – Water should only leak out of the hole on the top of the pump bulb. If this is the source of the leak then give the bulb one quick pump making sure to cover the hole with your thumb. This will stop the leak. If the hole on top of the pump bulb is not the source of the leak then the sealed chamber has ruptured. The back rest will need to be sent in for repair. Please email support@aquonchair.com to set up the repair.

Frequently Asked Questions

Q. Can I leave the chair plugged in?

A. Yes! Leaving the **AQUON** chair plugged in will not affect its longevity. Power consumption is similar to leaving a light on in a room.

Q. Are there any health concerns with using a chair with electricity?

A. No. The **AQUON** uses low voltage DC power, which has no health concerns.

Q. Is the fan loud or bothersome?

A. No. The **AQUON** produces minimal(only 6db) of non-distracting fan noise.

Contact Information

Still have a question? Contact us at support@aquonchair.com

AQUON is a trademark of Thermoregulation Engineering Corp. Tampa, FL USA